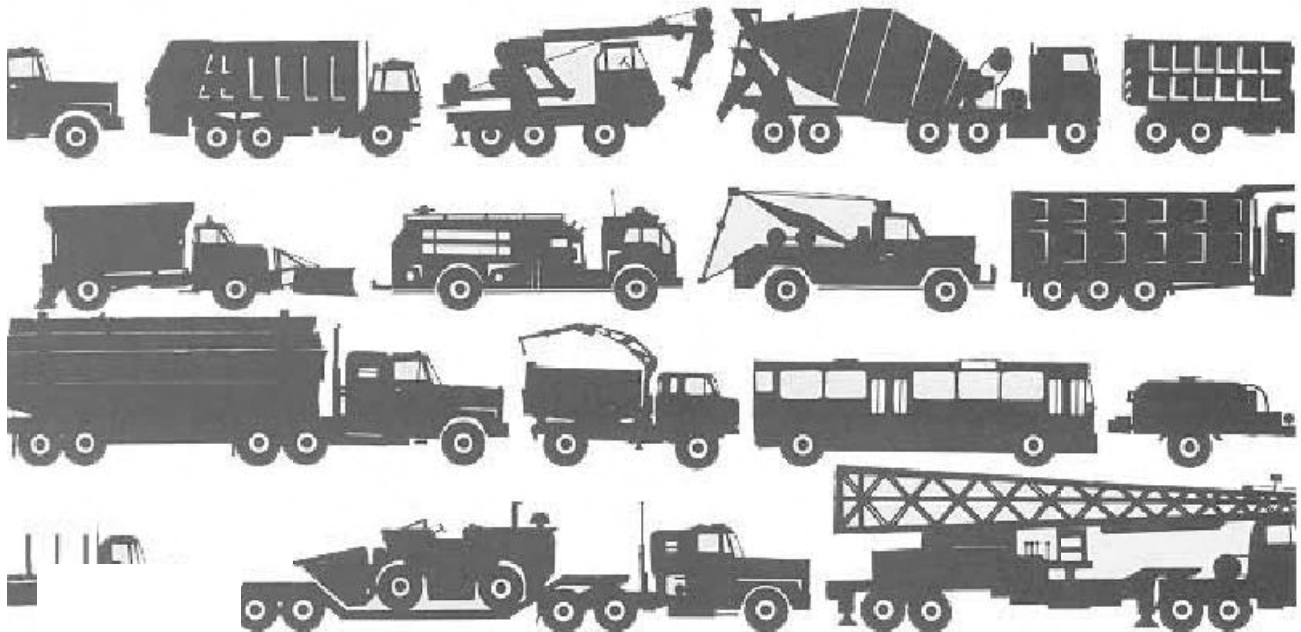


TC-160 TRANSFER CASE AND PTO-160 SPLIT-SHAFT PTO PARTS MANUAL



Telephone (925) 454-9500 Fax (925) 454-9501
151 Lawrence Drive, Livermore, CA 94662

www.fabcoautomotive.com



PARTS MANUAL

Table of Contents

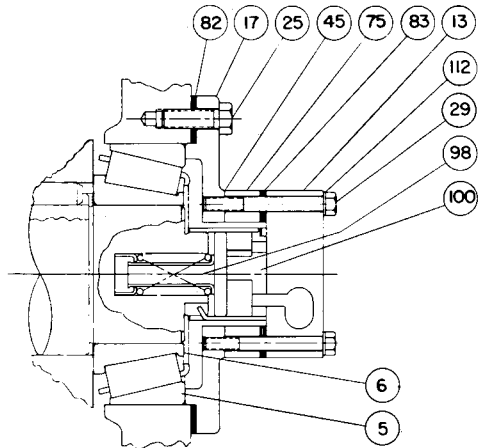
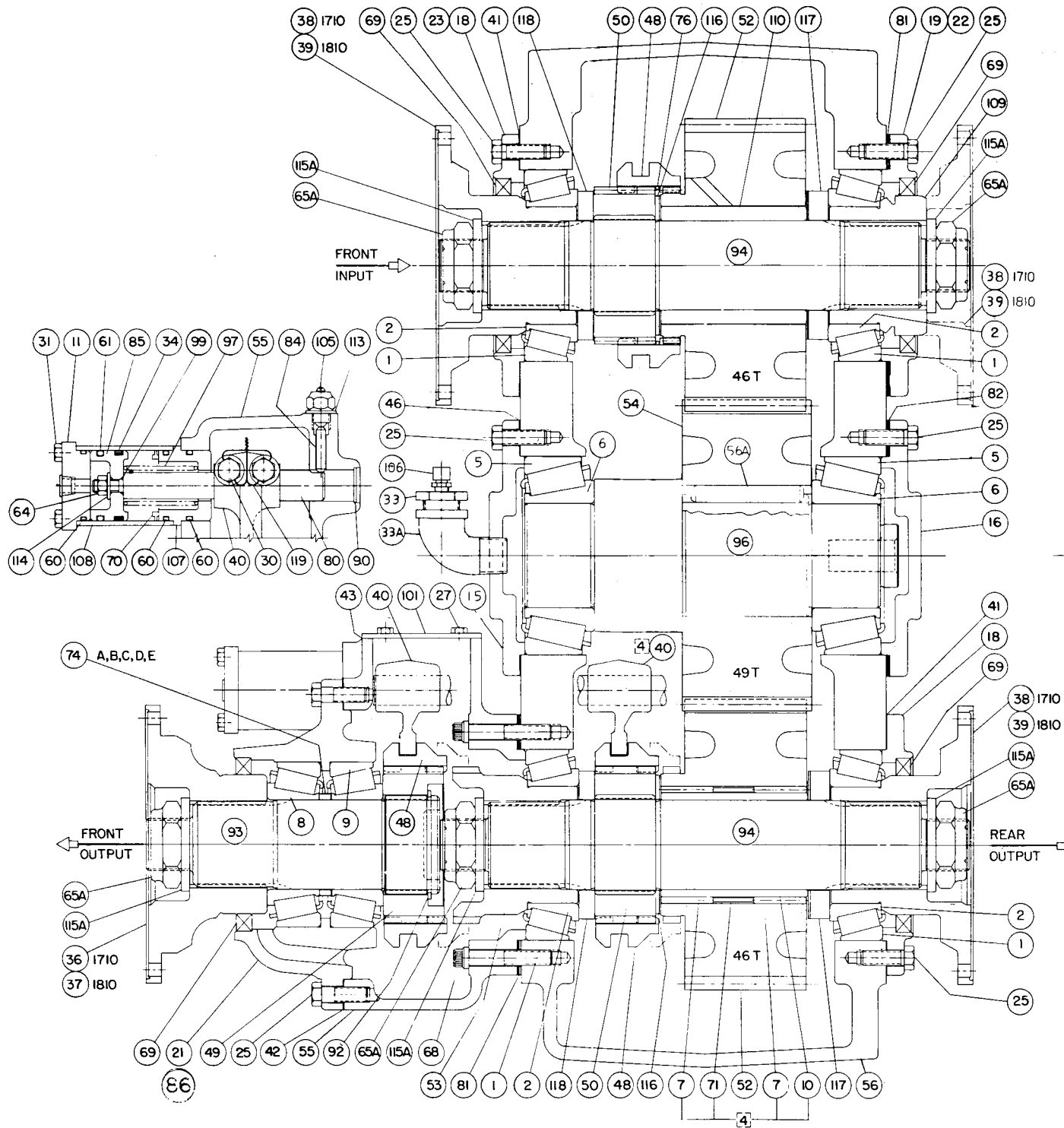
Main Case	33
PTO, DPD, Neutral	37
Housing	39
Split Shaft PTO-160, Lubrication Pump, Shift Parts & Dual Pump Drive	41
Lubrication Piping	43

To Use This Parts Manual.

1. Refer to the view which illustrates the needed part.
2. Find the required part in the view and then note the item number.
3. Locate the item number in the parts list for part number, description and quantity.

NOTE: When ordering parts, specify model number, part number, serial number or other information that is on the Fabco nameplate located on the transfer case housing.

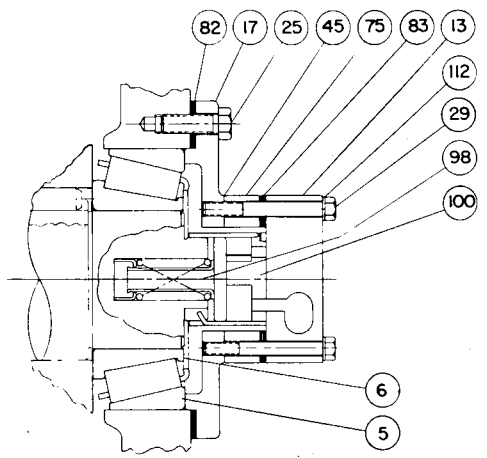
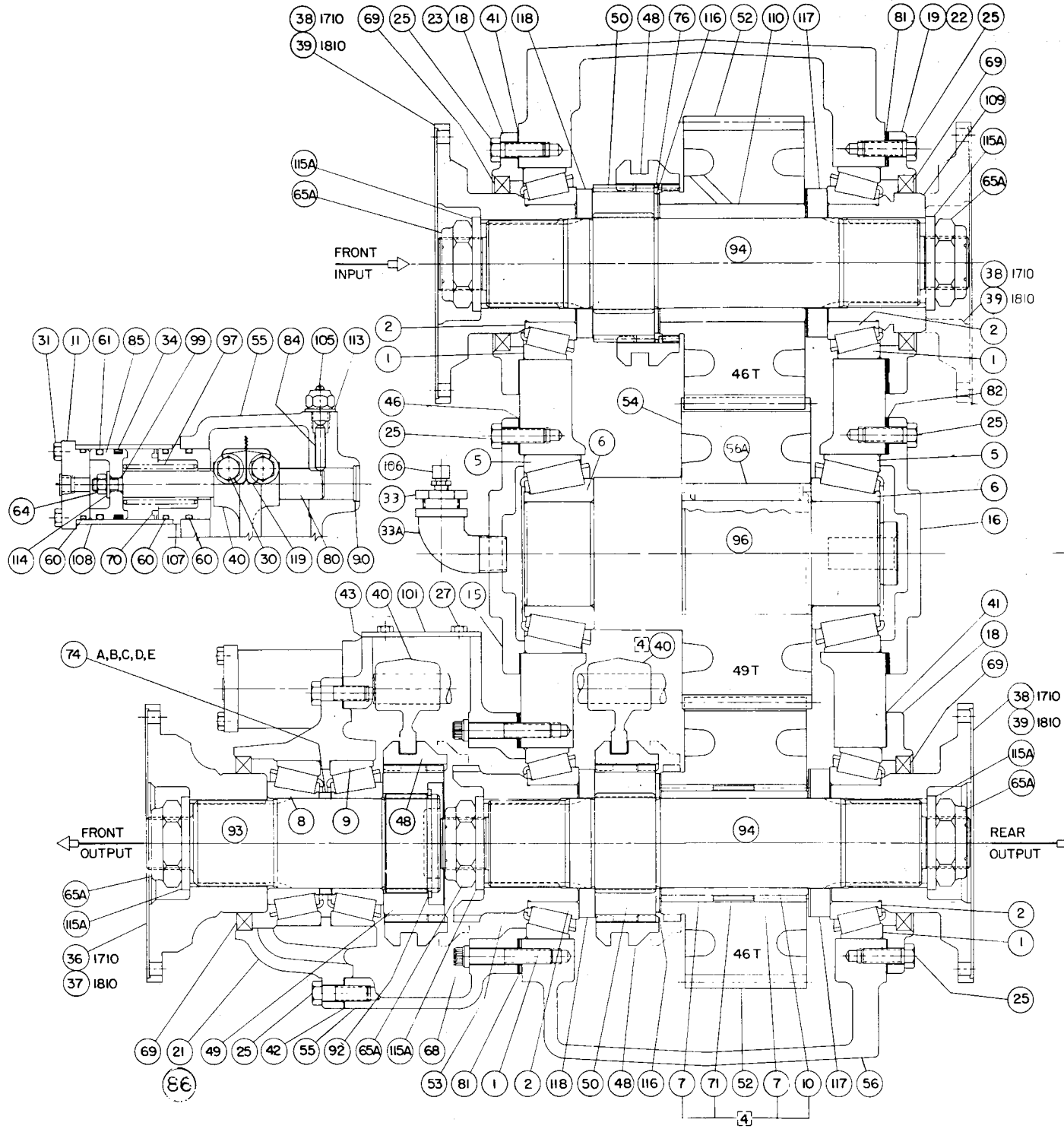
Part numbers contained in this manual were in effect at the time the manual was approved for printing and are subject to change without notice or liability. Fabco Automotive Corporation reserves the right to change parts at any time.



4 ITEMS USED WHEN NEUTRAL SHIFT IS PROVIDED.

MAIN CASE

ITEM	PART NO.	DESCRIPTION	QTY	ITEM	PART NO.	DESCRIPTION	QTY
1	233 282	Bearing Cup	4	40	367 254	Fork, Shift	1
2	233 283	Bearing Cone	4	41	427 372	Gasket, Seal Carrier, Front Input and Rear Output	2
5	233 378	Bearing Cup	2	42	427 375	Gasket, Declutch Carrier	1
6	233 379	Bearing Cone	2	43	427 376	Gasket, Declutch Cover	1
7	233 436	*Roller Bearing Assembly (w/Neutral)	2	45	427 468	+ Gasket, Oil Pump (w/Pump)	1
8	233 443	Bearing Cone	2	46	427 478	Gasket, Intermediate	1
9	233 444	Bearing Cup	2	48	432 426	Gear, Clutch Collar	3
10	233 467	*Bearing Inner Race (w/Neutral)	1	49	432 563	Gear, Clutch	1
11	235 352	Cap, Shift Cylinder	1	50	432 428	Gear, Clutch	2
13	235 492	+Cap, Pump (w/Pump)	1	52	432 495	Gear, Upper and Lower	2
15	235 533	Cap, Intermediate, Front	1	53	432 564	Gear, Clutch Drive	1
16	235 534	+Cap, Intermediate, Rear (Basic)	1	54	432 267	@Gear, Intermediate	1
17	235 535	+Cap, Intermediate, Rear (w/Pump)	1	55	468 478	Housing, Declutch	1
18	237 357	+Carrier, Seal, Top Input and Rear Output (Basic)	2	56	468 952	Housing, Transfer Case	1
19	237 362	+Carrier, Seal, Top Rear (Basic)	1	56A	539 352	@ Key, 1/2 x 3/4 Special	1
21	237 427	Carrier, Declutch Bearing and Seal	1	60	675 224	O-Ring, Shift Cylinder	3
22	237 438	+Carrier, Seal, Top Rear (w/Pump)	1	61	675 326	O-Ring, Piston	1
23	237 439	+Carrier, Seal, Front Input (w/Pump)	1	64	688 464	Nut, Shift Shaft Piston	1
25	265 238	Bolt, 7/16-14 x 1 1/4	38	65A	688 694	Nut, 1 1/2-12	5
29	265 394	+Bolt, 5/16-24 x 23/4 (w/Pump)	6	68	724 677	Screw, 7/16-14 x 2 1/4	6
30	265 768	Bolt, 7/16-20 x 1 1/2, Drilled Head	4	69	732 328	Seal, Oil	4
31	265 769	Bolt, 1/4-20 x 3 3/4	4	70	736 747	Stop, Ring	1
33	356 236	Hex Reducer Bushing, 3/4" x 1/8"	1	71	736 849	* Ring, Spacer Needle Bearing (w/Neutral)	1
33A	359 267	Street Elbow, 3/4" x 90°	1	74	736 939	Ring, Bearing Spacer .360	} 1 (A/R) (See Note 1)
34	339 223	Felt Wiper	1	74A	736 942	Ring, Bearing Spacer .365	
36	352 457	Flange, Front Output, 1710	} 1	74B	736 943	Ring, Bearing Spacer .370	
37	352 458	Flange, Front Output, 1810		74C	736 944	Ring, Bearing Spacer .375	
38	352 474 002	Flange, Front Input and Rear Output, 1710	} 1	74D	736 959	Ring, Bearing Spacer .380	
39	352 474 003	Flange, Front Input and Rear Output, 1810		74E	736 962	Ring, Bearing Spacer .385	
				75	736 952	Ring, Pump Spacer	1
				76	736 953	* Ring, Clutch Ret.	1
				80	742 799	Shaft, Shift (Declutch)	1



OPTIONAL LUBRICATION PUMP

4 ITEMS USED WHEN NEUTRAL SHIFT IS PROVIDED.

MAIN CASE (cont.)

ITEM	PART NO.	DESCRIPTION	QTY	ITEM	PART NO.	DESCRIPTION	QTY
81	744 278	Shim, Upper & Lower Shaft, .030 Coral	} A/R	98	777 536	+ Spring Assembly, Pump (w/Pump)	1
	744 279	Shim, Upper & Lower Shaft, .015 Pink		99	782 288	O-Ring, Piston Shaft	1
	744 282	Shim, Upper & Lower Shaft, .005 Blue		100	786 288	+ Pump Cartridge (w/Pump)	1
	744 283	Shim, Upper & Lower Shaft, .002 Red		101	792 866	Plate, Declutch Cover	1
82	744 347 001	Shim, Interm. Shaft, .002 Red	} A/R	105	798 245	Switch, Shift Indicating	1
	744 347 002	Shim, Interm. Shaft, .005 Blue		106	836 222	Breather, 1/8 NPT	1
	744 347 003	Shim, Interm. Shaft, .015 Pink		107	883 482	Tube, Shift Cylinder Adapter	1
	744 347 004	Shim, Interm. Shaft, .030 Coral		108	883 887 001	Tube, Shift Cylinder, 2.75 long	1
83	744 324	Shim, Pump		109	883 932	Tube, Blanking Sleeve	1
84	746 628	Pin, 5/16 Diameter	1	110	883 947	* Tube, Gear Sleeve	1
85	753 232	Piston, Shift	1	112	927 299	Washer, 5/16 Lock	1
86	758 255	Plug, ¼ Sq. Hd. Blk. Pipe	2	113	927 427	Washer, Copper	1
90	758 328	Plug, 1" Welch	1	114	927 643	Washer, Shift Shaft	1
92	762 288	Snap Ring	1	115A	927 775 005	Washer, Flange & Declutch	5
93	769 358	Shaft, Front Output	1	116	927 778	Washer, Inner Thrust	2
94	769 362	Shaft, Upper & Lower	2	117	927 779	Washer, Thrust (Rear)	2
96	769 445	@Shaft, Intermediate	1	118	927 782	Washer, Thrust (Front)	2
97	777 477	Spring, Shift Shaft	1	119	947 223	Wire, Lock	

NOTE 1: Select **one** spacer to set end play of shaft. See Service Manual, Section VI.F.22.

* Without neutral, Item 110 replaces Items 7, 10 & 71. Item 76 is quantity of 2, the second ring being used in the bottom shaft clutch collar to lock the gear to the shaft and there is no shift fork, shaft or cylinder.

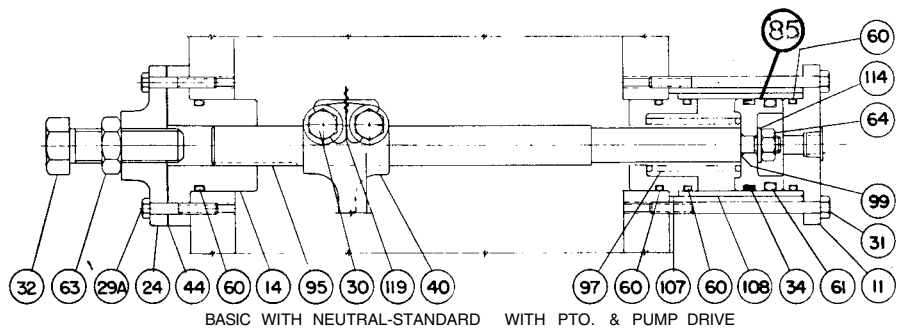
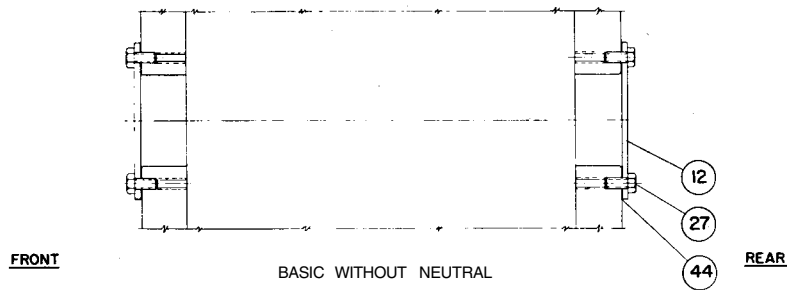
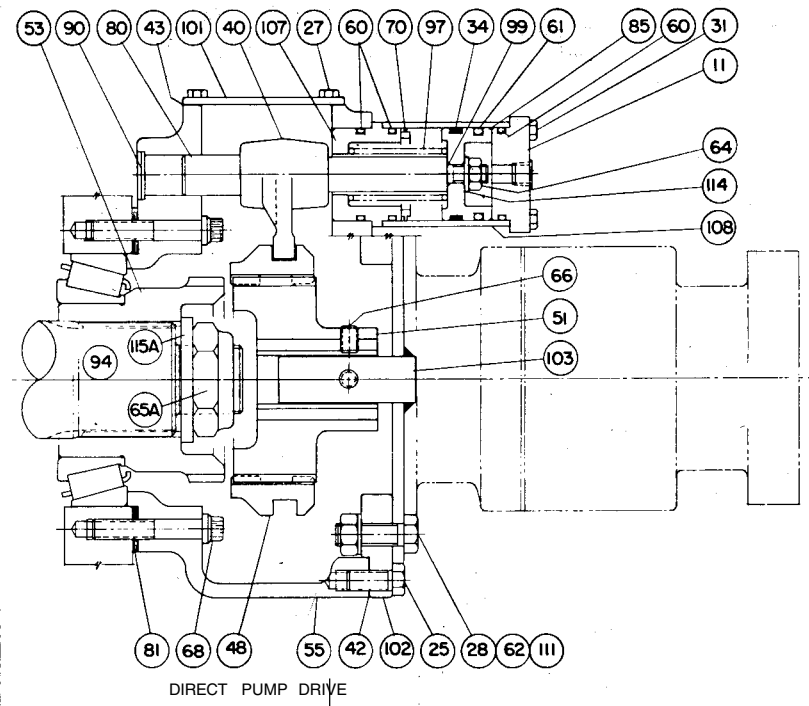
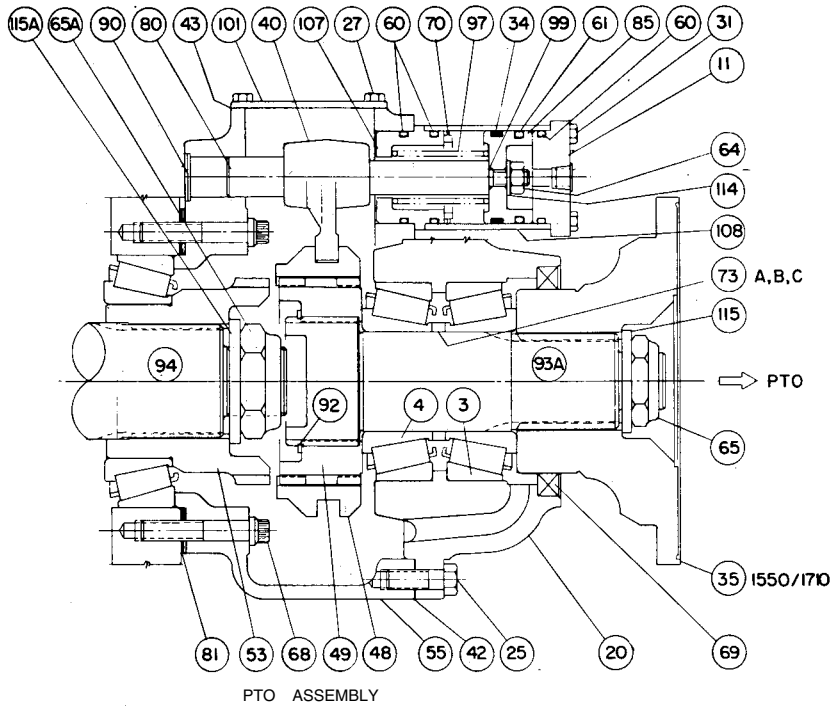
+ Items 16, 18 & 19 used when no lubrication pump is present. If lubrication option is present, Items 13, 17, 22, 23, 29, 45, 98 & 100 are used, with filter, hoses and fittings shown on Pages 42 & 43.

@ Earliest cases (up to S/N 103B84) - Splined intermediate shaft and gear: Item 54 - 432 576 Gear
96 - 769 364 Shaft

Later cases (S/N 618L84 thru S/N 402G86 exc. S/N 372F86 & 373F86) - Splined shaft and gear w/pilot rings:

Item 54 - 432 592 Gear
96 - 769 395 Shaft

Current (S/N 372F86, 373F86, 422F86 & on) — Key, Gear & Shaft, as in Parts List.



POWER TAKEOFF, DIRECT PUMP DRIVE & NEUTRAL SHIFT

ITEM	PART NO.	DESCRIPTION	QTY
3	233 376	Bearing Cup	2
4	233 377	Bearing Cone	2
11	235 352	Cap, Shift Cylinder	1
20	237 393	Carrier, Bearing and Seal	1
25	265 238	Bolt, 7/16-14 x 1½	8
27	265 343	Bolt, Capscrew, ¼-20 x ½	4
30	265 768	Bolt, 7/16 x 1½, Drilled Head	2
31	265 769	Bolt, ¼-29 x 3¾	4
34	339 223	Felt Wiper	1
35	352 344	Flange, PTO (1550/1710)	1
40	367 254	Fork, Shift	1
42	427 375	Gasket	1
43	427 376	Gasket, PTO Cover	1
48	432 426	Clutch Collar	1
49	432 563	Clutch Gear	1
55	468 478	Housing, PTO	1
60	675 224	O-Ring	3
61	675 326	O-Ring	1
64	688 464	Nut, Flexloc	1
65	688 633	Nut, Self Locking	1
68	724 677	Capscrew, Ferry Hd., 7/16-14 x 2¼	6
69	732 328	Seal, Oil	1
70	736 747	Stop Ring	1

ITEM	PART NO.	DESCRIPTION	QTY
73A	736 767	Ring, Brg. Spacer .323 Thick	1
B	736 797	Ring, Brg. Spacer .328 Thick	(A/R)
C	736 896	Ring, Brg. Spacer .313 Thick	(See
D	736 897	Ring, Brg. Spacer .318 Thick	Note)
80	742 799	Shaft, Shift	1
84	746 628	Pin, 5/16 Diameter x 1¼	1
85	753 232	Piston, Shift	1
90	758 328	Plug, 1" Welch	1
92	762 288	Snap Ring	1
93A	769 323	Shaft, PTO Drive	1
97	777 477	Spring, Shift Shaft	1
99	782 288	O-Ring, Piston Shaft Seal	1
101	792 866	Plate, PTO Unit Cover	1
105	798 245	Switch, Shift Indicating	1
107	883 482	Tube, Shift Cylinder Adapter	1
108	883 887 001	Tube, Shift Cylinder, 2.75 Long	1
113	927 427	Washer, Copper	1
114	927 643	Washer	1
115	927 775 002	Washer, Hardened	1
119	947 223	Lockwire	1

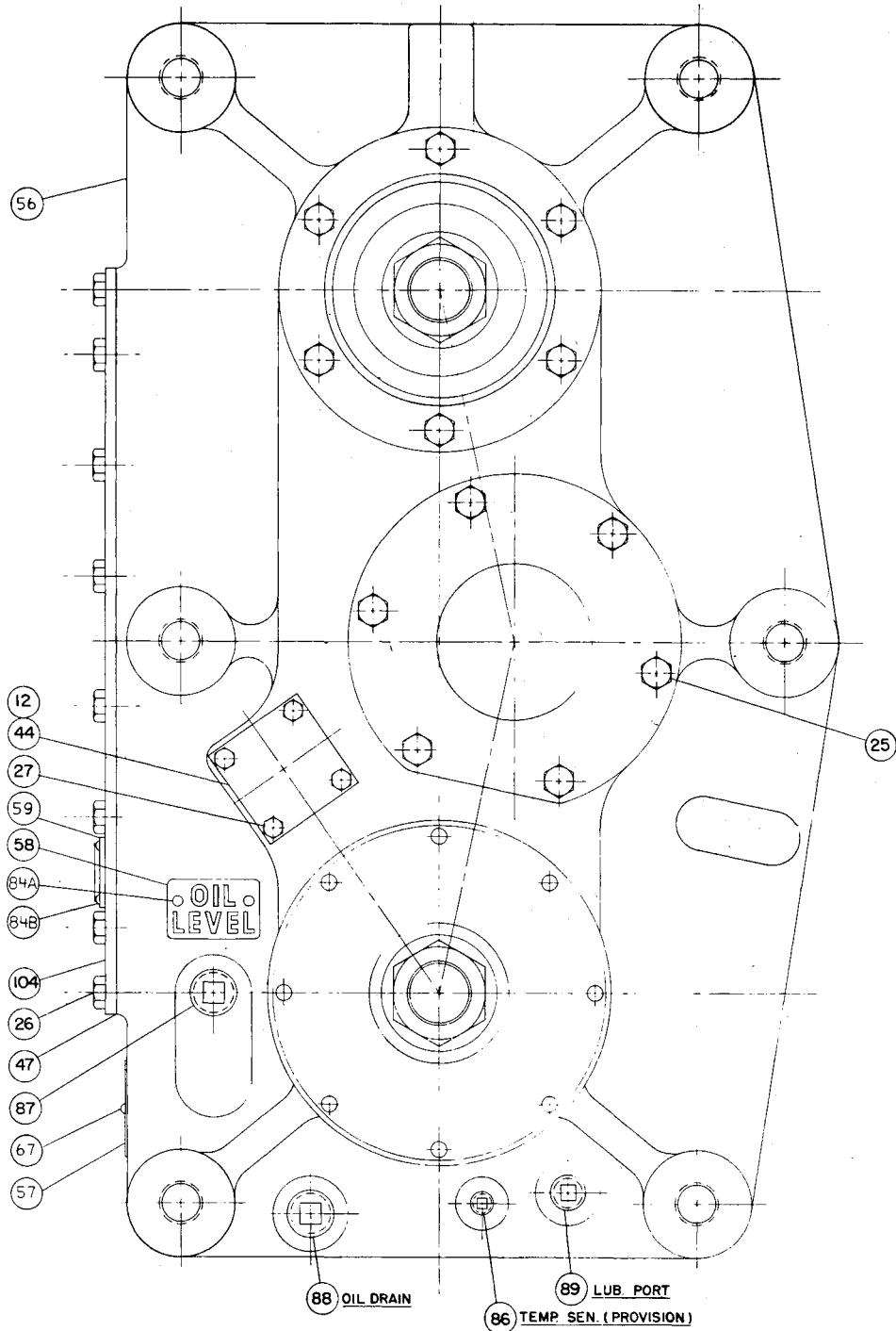
DIRECT PUMP DRIVE ONLY (SAE "C" MTG)

51	432 494	Gear, Hydraulic Pump Drive	1
66	724 244	Screw, Set, Socket HD	1
102	792 867	Plate, Pump Mounting	1

NOTE: Select **one** spacer to set end play of shaft.
See Service Manual, Sec. VI, F, 22.

NEUTRAL SHIFT PARTS

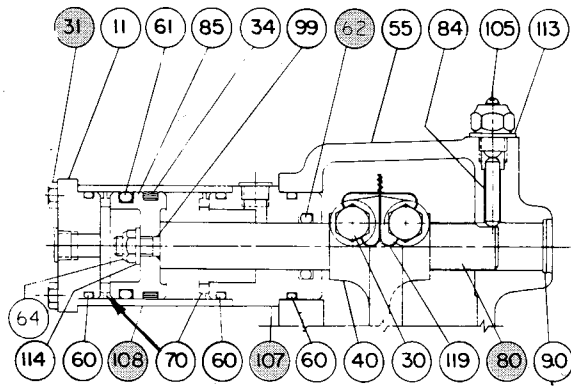
			WITH NEUT.	W/O NEUT.		WITH NEUT.	W/O NEUT.		
12	235 372	Plate, Cover	—	2	32	265 985	Bolt, Stop., 3/4-16 x 2½	1	—
14	235 496	Cap, Shift Shaft Support	1	—	44	427 399	Gasket, Shift Cap	1	2
24	237 455	Carrier, Shift Shaft Stop	1	—	63	688 372	Nut, Jam, 3/4-16	1	—
29A	265 553	Bolt, ¼-29 x ½	4	—	95	769 363	Shaft, Neutral Shift	1	—



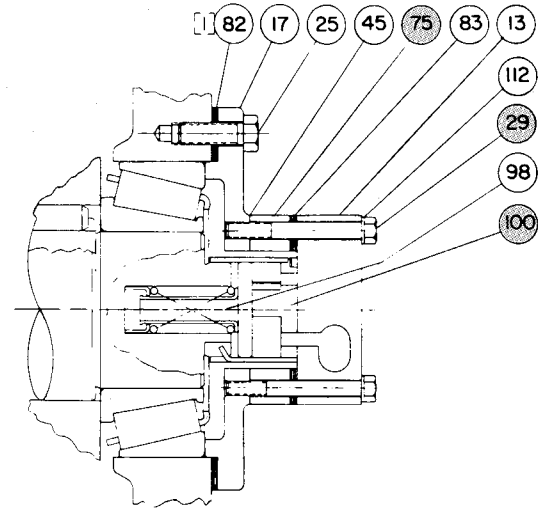
REAR VIEW (BASIC CASE)

MAIN HOUSING

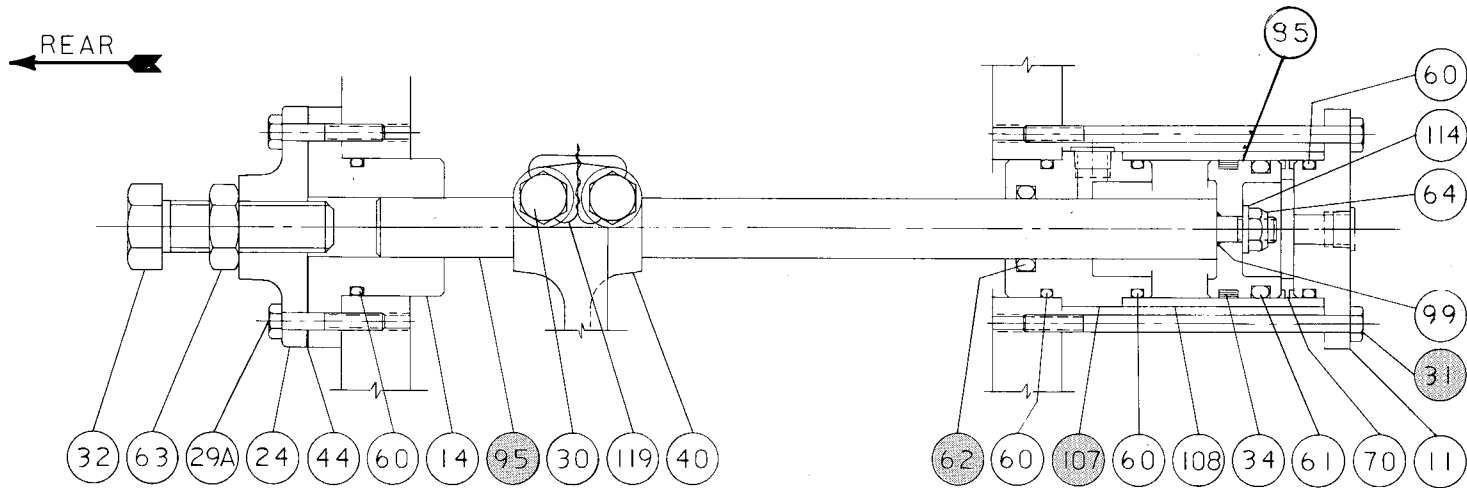
ITEM	PART NO.	DESCRIPTION	QTY.
26	265 239	Bolt, 7/16-14 x 1	18
47	427 479	Gasket, Main Cover	1
56	468 952	Housing, Main	1
58	626 258	Name Plate, "Oil Level"	1
59	626 262	Name Plate, "Fabco"	1
84A	747 224	Drive Screw	2
84B	747 237	Rivet, 1/8x1/2	4
86	758 255	Plug, 1/4 Blk. Pipe	1
87	758 268	Plug, 3/4 Pipe	1
88	758 274	Plug, 3/4 Pipe Mag.	1
89	758 293	Plug, 1/2 Dryseal	1
104	793 389	Cover, Housing	1



REAR AXLE DECLUTCHSHIFT DETAILS



LUBRICATIONPUMP



POWER TAKE OFF SHIFT DETAILS

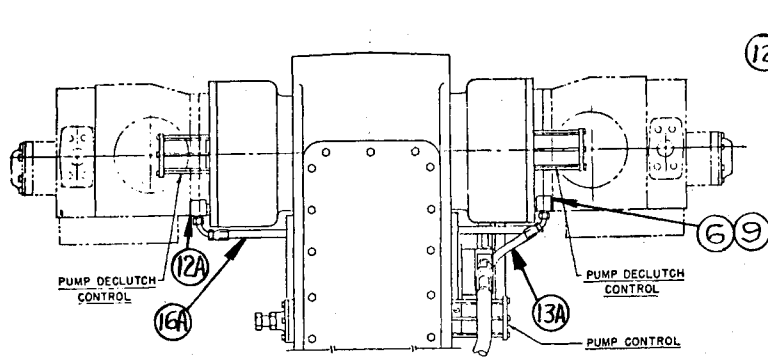
PTO-160 SPLIT SHAFT

All parts are common to TC-160 except the pump parts, rear axle declutch parts and PTO shift parts listed below. (Highlighted items on page 40.)

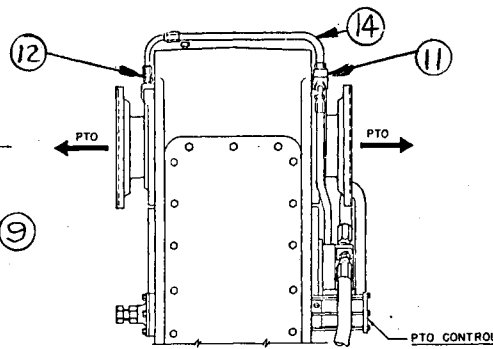
ITEM	PART NO.	DESCRIPTION	QTY.
29	265 828	Bolt, 5/16-24 x 3 (Pump Housing)	6
31	265 982	Bolt, 1/4-20 x 4-3/4 (Rear Axle & PTO Shift Cyls.)	8
62	675 316	O-Ring, 7/8 I.D. x 3/16	2
75	736 986	Ring, Pump Spacer	1
80	769 263	Shaft, Shift, Declutch	1
95	769 394	Shaft, Shift, PTO	1
100	786 292	Pump Cartridge	1
107	883 877	Tube, Shift Cylinder Adapter	2
108	883 887 004	Tube, Shift Cylinder (2.9 4 Lg.)	2

SPECIAL DUAL DIRECT PUMP DRIVE PARTS FOR PTO-160

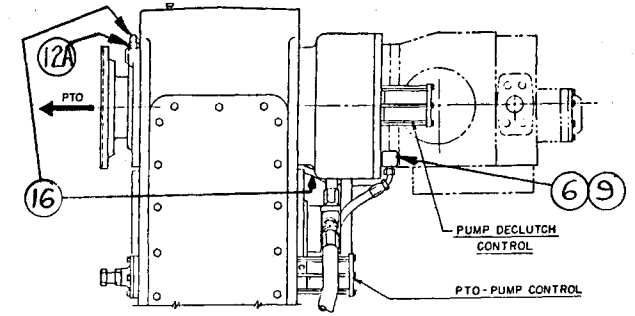
ITEM	PART NO.	DESCRIPTION	QTY.
27A	265 548	Bolt, 1/4-20 x 1-1/4	3
42A	427 499	Gasket, Declutch, Hydraulic Pump Mounting Plate	1
48A	432 644	Gear, Clutch Collar Special	2
51	432 585	Gear, Pump Drive Top Rear (SAE "B")	1
51A	432 626	Gear, Pump Drive Top Front (SAE "E")	1
55A	468 583	Housing, Declutch, Top Rear	1
68A	724 268	Screw, Ferry Hd., 7/16-16 x 1 Lg.	8
76A	762 334	Ring, Internal Snap	2
80	769 263	Shaft, Shift (Declutch)	1
102	793 433	Plate, Hydraulic Pump Mounting (SAE "B")	1
102A	793 432	Plate, Hydraulic Pump Mounting (SAE "E")	1
105A	357 395	Plug, 9/16-18	2



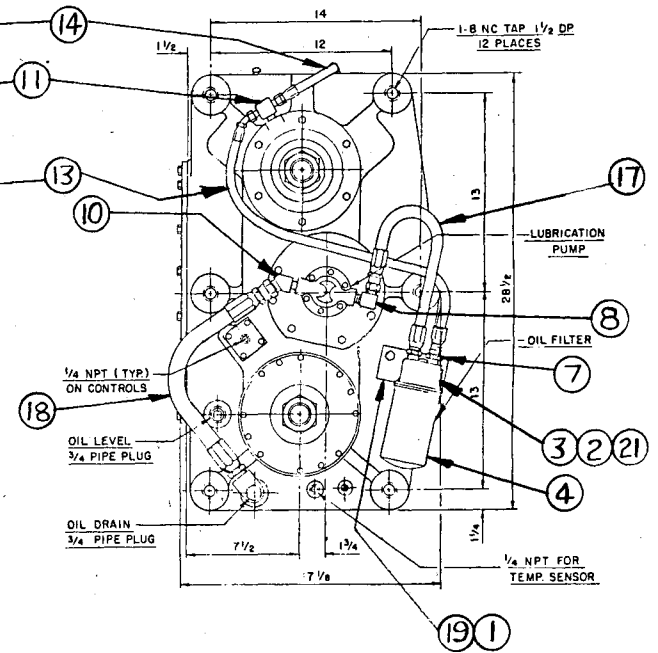
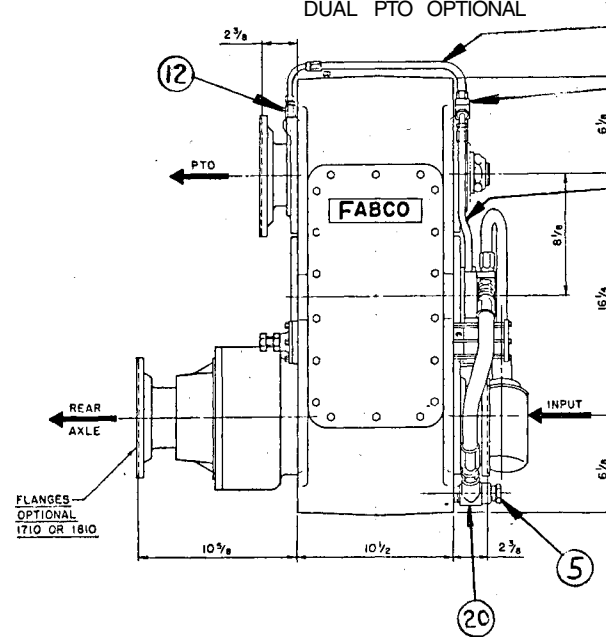
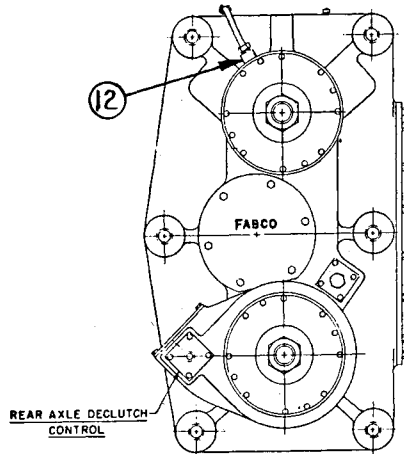
DUAL- DIRECT PUMP DRIVE OPTIONAL



DUAL PTO OPTIONAL



PTO WITH DIRECT DRIVE PUMP OPTIONAL



SSPTO SHOWN — TC SAME AS BASIC AND WITH PTO (DPD)

PIPING, LUBRICATION

ITEM	PART NO.	DESCRIPTION
1	265 238	Bolt,H..H. 7/16-14 x 1¼ "
2	265 345	Bolt, H..H. 5/16-18 x 1"
3	273 699	Bracket, Oil Filter Mounting
4	345 267	Filter, Oil
5	345 268	Strainer, Oil
7	356 255	Reducer Bushing ½ x 3/8
8	357 327	Elbow, 90 °, 3/8 NPT x 3/4-16 JIC
10	357 783	Elbow, 45 °, ½ NPT x 1-1/16-12 JIC
17	469 823 001	Hose Assembly, #8, Pump to Filter
18	469 825 001	Hose Assembly, #12, Sump to Pump
19	793 398	Plate,Filter Mounting
20	824 275	Tee, 3/4 Fem. NPT x 3/4 NPT x 3/4 NPT
21	927 299	Washer, Lock 5/16

BASIC TC & SSPTO ONLY

11	357 633	Tee, ¼ NPT x 9/16-18 JIG x 9/16-18 JIC
12	357 959	Adapter, Long,, ¼ NPT x 9/16-18 JIC
13	469 822 017	Hose Assembly, #6, Filter to Rear Carrier
14	469 822 018	Hose Assembly, #6, Rear Carrier to Front Carrier

ITEM	PART NO.	DESCRIPTION
TC WITH PTO/DIRECT PUMP DRIVE ONLY		
6	355 584	Nipple, ¼ NPT, 1½ LG
9	357 385	Tee, ¼ NPT x 9/16-18 JIC x 9/16-18 JIC
12	357 959	Adapter, Long, ¼ NPT x 9/16-18 JIC
13	469 822 017	Hose Assembly, #6, Filter to Rear Carrier
16	469 789	Hose Assembly #6, PTO to Front Carrier

SSPTO WITH/TWO PUMP DRIVES ONLY

6	355 584	Nipple, ¼ NPT, 1½ LG
9	357 385	Tee, ¼ NPT x 9/16-18 JIC x 9/16-18 JIG
12A	357 898	Elbow, 90 °, ¼ NPT x 9/16-18 JIC
13A	469 822 020	Hose Assembly, #6, Filter to Declutch Housing
16A	469 822 021	Hose Assembly, #6, Declutch to Declutch